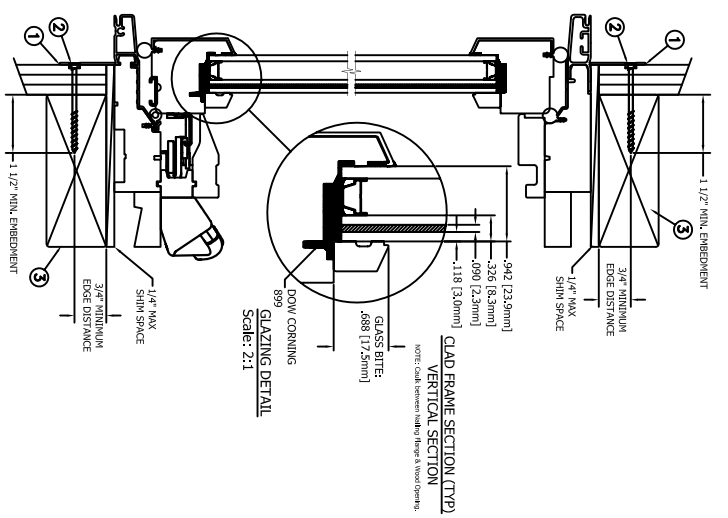
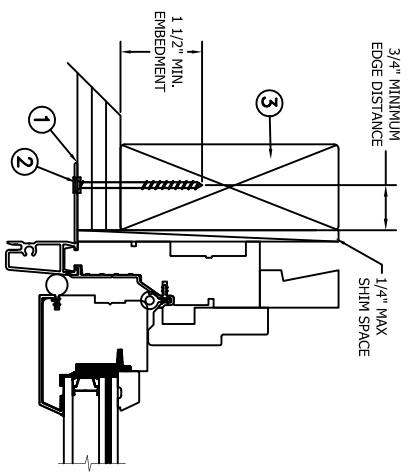


TYPICAL ELEVATION WITH FASTENER SPACING



NAILFIN INSTALLATION



Max Frame	DP Rating	Impact
36" x 72"	+50/-50	YES

Installation Notes:

1. Seal flange/frame to substrate.
2. Use #6 PH or greater fastener through the nailfin on all sides with sufficient length to penetrate a minimum of 1 1/2" into the wood framing. For 2x wood frame substrate (min. S.G. = 0.42)
3. Host structure (wood buck, masonry, steel) to be designed and anchored to properly transfer all loads to the structure. The host structure is the responsibility of the architect or engineer of record for the project of installation.

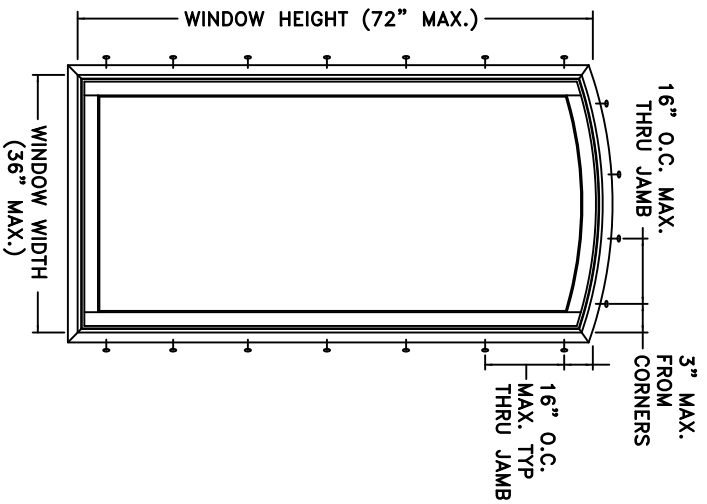
General Notes:

1. The product shown herein is designed, tested and manufactured to comply with the wind load criteria of the adopted International Building Code (IBC), the International Residential Code (IRC), the Florida Building Code (FBC) and the industry requirement for the stated conditions.
2. All glazing shall conform to ASTM E1300.
3. At minimum, glazing shall be double strength annealed insulating glass.
4. Use structural or composite shims where required.

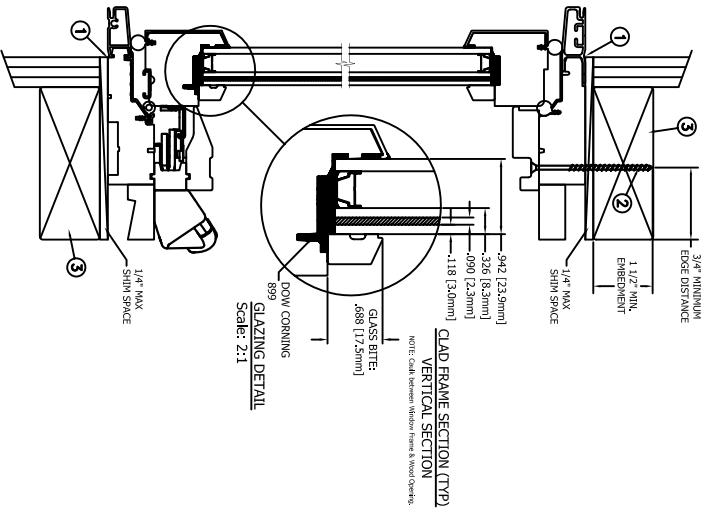
This schedule addresses only the fasteners required to anchor the window to achieve the rated design pressure and impact performance (where applicable) up to the size limitations noted. It is not intended as a guide to the installation process and does not address the sealing consideration that may arise in different wall conditions. For the complete installation procedure, see the instructions packaged with the window or go to www.jeld-wen.com/resources/installation.

DISCLAIMER:
This drawing and its contents are confidential and are not to be reproduced or copied in whole or in part or used or disclosed to others except as authorized by JELD-WEN Inc.

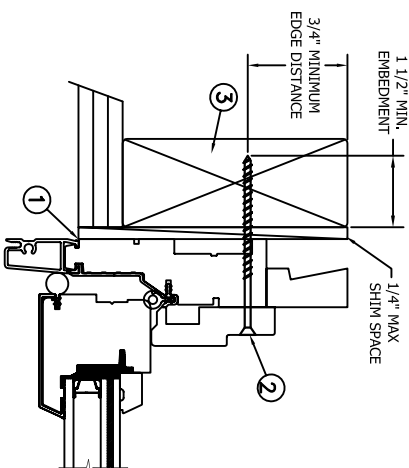
PROJECT ENGINEER: ---	DATE: 08/22/2016	CAD DWG. No.:	REV:	SHEET
DRAWN BY: J.HAWKINS	SCALE: NTS	PLANT NAME AND LOCATION: Hawkins-WI	A	
CHECKED BY: K.CAMPBELL	TITLE: Steline Clad Casement Radius Impact Window			
APPROVED BY: D.STOKES				
PART/PROJECT No.:				
D012438				
IDENTIFIER NO.:				
N/A				
JELD-WEN 3737 Lakeport Blvd Klamath Falls, OR, 97601 Phone: (800) 535-3936				



TYPICAL ELEVATION WITH FASTENER SPACING



THRU JAMB INSTALLATION



FRAME JAMB SECTION (TYP)
HORIZONTAL SECTION
NOTE: Caulk between Window Frame & Wood Opening.

Max Frame	DP Rating	Impact
36" x 72"	+50/-50	YES

Installation Notes:

1. Seal flange/frame to substrate.
2. Use #8 PH or greater fastener through the frame with sufficient length to penetrate a minimum of 1 1/2" into the wood framing. For 2x wood frame substrate (min. S.G. = 0.42)
3. Host structure (wood buck, masonry, steel) to be designed and anchored to properly transfer all loads to the structure. The host structure is the responsibility of the architect or engineer of record for the project of installation.

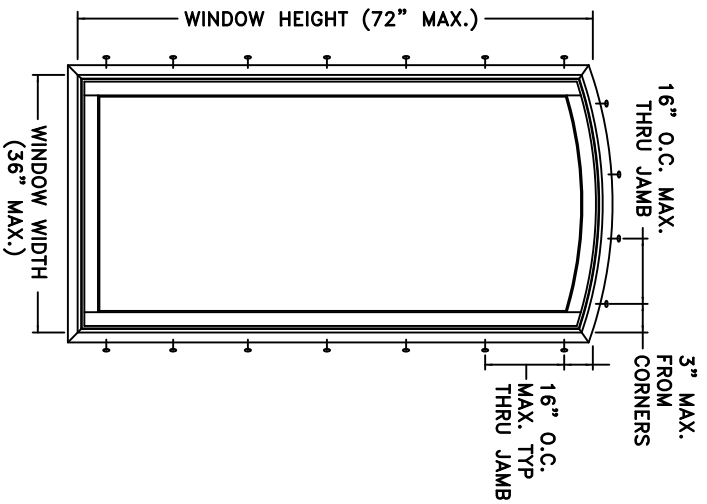
General Notes:

1. The product shown herein is designed, tested and manufactured to comply with the wind load criteria of the adopted International Building Code (IBC), the International Residential Code (IRC), the Florida Building Code (FBC) and the Industry requirement for the stated conditions.
2. All glazing shall conform to ASTM E1300.
3. At minimum, glazing shall be double strength annealed insulating glass.
4. Use structural or composite shims where required.

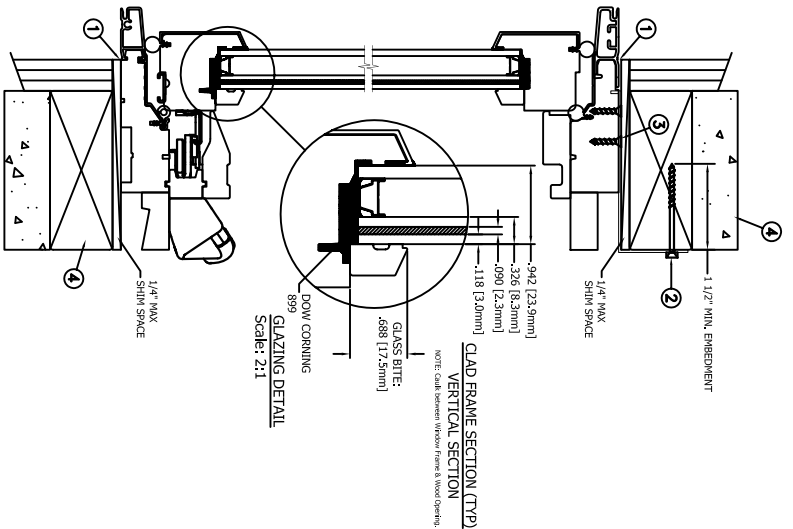
This schedule addresses only the fasteners required to anchor the window to achieve the rated design pressure and impact performance (where applicable) up to the size limitations noted. It is not intended as a guide to the installation process and does not address the sealing consideration that may arise in different wall conditions. For the complete installation procedure, see the instructions packaged with the window or go to www.jeld-wen.com/resources/installation.

DISCLAIMER: This drawing and its contents are confidential and are not to be reproduced or copied in whole or in part or used or disclosed to others except as authorized by JELD-WEN Inc.

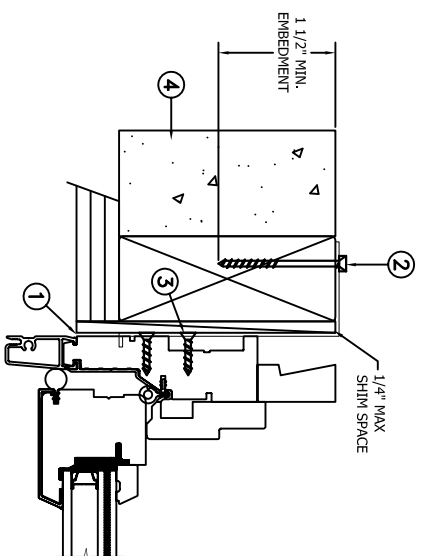
PROJECT ENGINEER: ---	DATE: 08/22/2016	PLANT NAME AND LOCATION: Hawkins-WI	
DRAWN BY: J.HAWKINS	SCALE: NTS	CAD DWG. No.:	REV:
CHECKED BY: K.CAMPBELL	TITLE: Steline Clad Casement Radius Impact Window	StalineCSMT Cert	A
APPROVED BY: D.STOKES			SHEET
PART/PROJECT No.:			
D012438			
IDENTIFIER NO.:			
N/A			
PROJECT ENGINEER: JELD-WEN 3737 Lakeport Blvd Klamath Falls, OR, 97601 Phone: (800) 535-3936			



TYPICAL ELEVATION WITH FASTENER SPACING



MASONRY INSTALLATION



FRAME JAMB SECTION (TYP)
HORIZONTAL SECTION
NOTE: Callk Between Window Frame & Wood Opening.

Max Frame	DP Rating	Impact
36" x 72"	+50/-50	YES

Installation Notes:

1. Seal flange/frame to substrate.
2. Use #8 PFH or larger fasteners through masonry strap with sufficient length to penetrate a minimum of 1 1/2" into the masonry or buck.. For concrete (min. fc = 3000 psi) or masonry substrate (CMU shall adhere to ASTM C90).
3. Use #8 PFH or larger fasteners through masonry strap into jamb without penetrating through the jamb into product causing visibility or collateral damage to product.
4. Host structure (wood buck, masonry, steel) to be designed and anchored to properly transfer all loads to the structure. The host structure is the responsibility of the architect or engineer of record for the project of installation.

General Notes:

1. The product shown herein is designed, tested and manufactured to comply with the wind load criteria of the adopted International Building Code (IBC), the International Residential Code (IRC), the Florida Building Code (FBC) and the industry requirement for the stated conditions.
2. All glazing shall conform to ASTM E1300.
3. At minimum, glazing shall be double strength annealed insulating glass.
4. Use structural or composite shims where required.

This schedule addresses only the fasteners required to anchor the window to achieve the rated design pressure and impact performance (where applicable) up to the size limitations noted. It is not intended as a guide to the installation process and does not address the sealing consideration that may arise in different wall conditions. For the complete installation procedure, see the instructions packaged with the window or go to www.jeld-wen.com/resources/installation.

DISCLAIMER: This drawing and its contents are confidential and are not to be reproduced or copied in whole or in part or used or disclosed to others except as authorized by JELD-WEN Inc.

PROJECT ENGINEER: ---	DATE: 08/22/2016	CAD DWG. No.:	REV:	SHEET
DRAWN BY: J.HAWKINS	SCALE: NTS	StairlineCSMT Cert	A	
CHECKED BY: K.CAMPBELL	TITLE: Stairline Clad Casement Radius Impact Window			
APPROVED BY: D.STOKES				
PART/PROJECT No.:				
D012438				
IDENTIFIER NO.:				
N/A				
PLANT NAME AND LOCATION: Hawkins-WI				
PROJECT ENGINEER: ---				
DRAWN BY: J.HAWKINS				
CHECKED BY: K.CAMPBELL				
APPROVED BY: D.STOKES				
PART/PROJECT No.:				
D012438				
IDENTIFIER NO.:				
N/A				
PLANT NAME AND LOCATION: Hawkins-WI				
PROJECT ENGINEER: ---				
DRAWN BY: J.HAWKINS				
CHECKED BY: K.CAMPBELL				
APPROVED BY: D.STOKES				
PART/PROJECT No.:				
D012438				
IDENTIFIER NO.:				
N/A				
PLANT NAME AND LOCATION: Hawkins-WI				
PROJECT ENGINEER: ---				
DRAWN BY: J.HAWKINS				
CHECKED BY: K.CAMPBELL				
APPROVED BY: D.STOKES				
PART/PROJECT No.:				
D012438				
IDENTIFIER NO.:				
N/A				
PLANT NAME AND LOCATION: Hawkins-WI				

JELD-WEN

3737 Lakeport Blvd
Klamath Falls, OR, 97601
Phone: (800) 535-3936